

# UNI 2P 35I & UNI 3P 35I

FIRST ELECTRIC ACTUATORS

with installed stainless steel ball valve

FIRST®



FIRST UNI 2P 35I or UNI 3P 35I series electric motor actuator with installed stainless steel ball valve is designed as closing element for heating systems.

- Possibility of manual override with button on actuator cover (gear is disengaged for as long the button is locked).
- Output electric signal (L) at the end position of the actuator (circulation pump control)
- Position indication: on actuator cover

## OPERATION

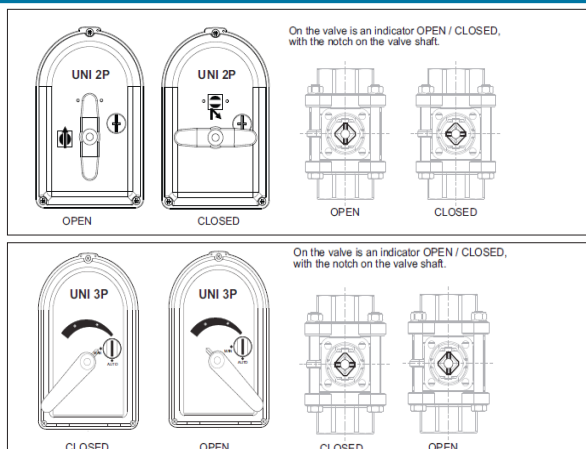
UNI 2P or UNI 3P series electric motor actuator with installed stainless steel ball valve is designed as closing element for heating systems (solar, remote, house-heating), water supply systems, chemical industry, petrochemical industry...

Its usage is not allowed in food preparation systems and pharmaceutical preparations.

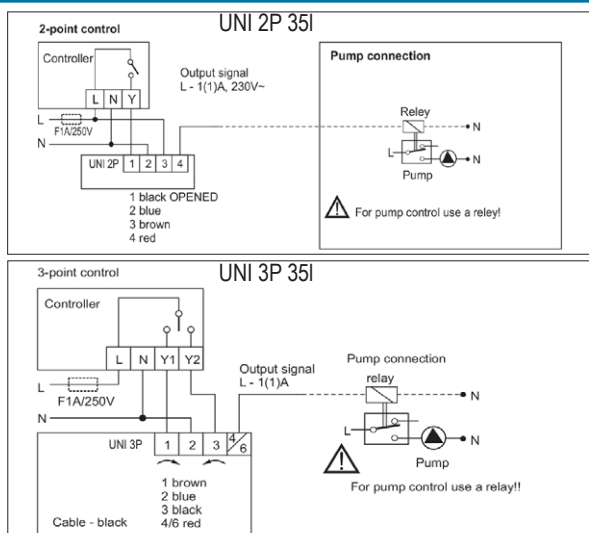
## MAINTENANCE

Valve and actuator require no maintenance. The installation of suitable strainer is recommended.

## INSTALLATION POSITION



## ELECTRICAL CONNECTION



## TECHNICAL DATA: VALVES

Nominal pressure:	PN 64
Medium:	water, oil, petroleum products, solvents, vapor, air, aggressive fluids, thermal water
Media temperature:	min. +5°C; max. +110°C
Leakage ( $\Delta p = 1$ bar):	rate A according to EN 12266-1:2003
Max. diff. pressure:	6 bar (recommended max. diff. pressure for low noise operation: 2 bar) Rp internal thread (EN 10226-1)
Connections:	
<b>Material:</b>	
Valve body:	ASI 316
Ball:	ASI 316
Seals:	PTFE -FKM

## TECHNICAL DATA: ACTUATOR UNI 2P 35I

Control:	2-point (SPST)
Supply voltage:	230 VAC, 50Hz or 24VAC, 50Hz
Rotation time:	32s/90°
Power consumption:	9 VA (operation), 5 VA (stand by relay on), 0 VA (stand by relay off)
Max. torque:	15 Nm
Protection class:	II
Enclosure rating:	IP44
Connection:	cabl 1 m, 4 x 0,5 mm <sup>2</sup>
Direction of rotation:	undefined CW/CCW (90°/360°)
Manual control:	with handle and button on the cover
Position indicator:	mechanical, handle on the cover
Ambient temperature:	0°C..+50°C
Storage temp.:	-20°C..+80°C
Humidity:	0%..80% R.h. (non condensed)

## TECHNICAL DATA: ACTUATOR UNI 3P 35I

Control:	3-point (SPDT)
Supply voltage:	230 VAC, 50Hz or 24VAC, 50Hz
Rotation time:	48s/90°, 73s/90°, 147s/90°
Power consumption:	6 VA (operation), 0 VA (stand by)
Max. torque:	15 Nm
Protection class:	II
Enclosure rating:	IP44
Connection:	cabl 2 x 1 m, 4 x 0,5 mm <sup>2</sup>
Direction of rotation:	defined
Manual control:	with handle and button on the cover
Position indicator:	mechanical, handle on the cover
Ambient temperature:	0°C..+55°C
Storage temp.:	-20°C..+80°C
Humidity:	0%..80% R.h. (non condensed)

FIRST®

FIRST d.o.o.  
Koroška cesta 56  
SI-3320 Velenje  
SLOVENIA

phone: +386 3 898 35 00  
fax: +386 3 898 35 35  
email: info@first.si  
web: www.first.si

www.first.si  
Let First be your first choice.

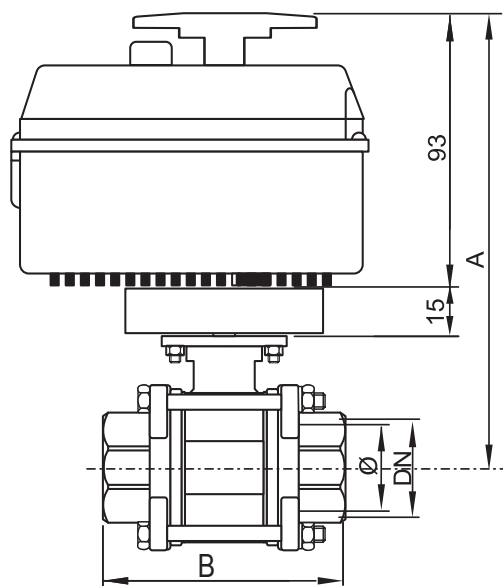


# UNI 2P/3P 35I

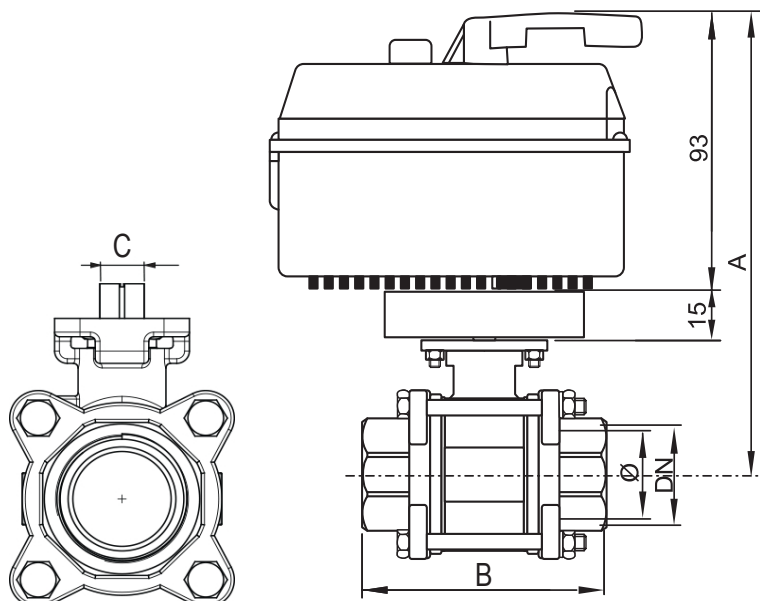
## FIRST ELECTRIC ACTUATORS

with installed stainless steel ball valve

### UNI - 2P35I



### UNI - 3P35I



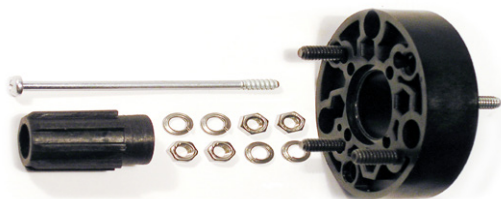
**UNI 2P 35I:** internal threads, rotation direction: undefined CW/CCW

Code	Type	DN	Kvs	Voltage	Rotation	Control	Connection	A	B	C	Weight [kg]	Price (€)
12638	UNI 2P 35I 10320-2	15	20	230V~50Hz	32s/90°	2P SPST	Rp 1/2"	167	75	9x9	1,27	
12639	UNI 2P 35I 10320-3	20	41	230V~50Hz	32s/90°	2P SPST	Rp 3/4"	175	80	9x9	1,43	
12640	UNI 2P 35I 10320-4	25	66	230V~50Hz	32s/90°	2P SPST	Rp 1"	185	90	11x11	2,05	
12641	UNI 2P 35I 10320-5	32	125	230V~50Hz	32s/90°	2P SPST	Rp 1 1/4"	195	110	11x11	2,53	

**UNI 3P 35I:** internal threads, rotation direction: defined

Code	Type	DN	Kvs	Voltage	Rotation	Control	Connection	A	B	C	Weight [kg]	Price (€)
12644	UNI 3P 35I 20480-2	15	20	230V~50Hz	48s/90°	3P SPDT	Rp 1/2"	167	75	9x9	1,27	
12645	UNI 3P 35I 20480-3	20	41	230V~50Hz	48s/90°	3P SPDT	Rp 3/4"	175	80	9x9	1,43	
12646	UNI 3P 35I 20480-4	25	66	230V~50Hz	48s/90°	3P SPDT	Rp 1"	185	90	11x11	2,05	
12650	UNI 3P 35I 21470-2	15	125	230V~50Hz	147s/90°	3P SPDT	Rp 1/2"	195	110	11x11	2,53	
12651	UNI 3P 35I 21470-3	20	200	230V~50Hz	147s/90°	3P SPDT	Rp 3/4"	212	120	11x11	3,78	
12652	UNI 3P 35I 21470-4	25	383	230V~50Hz	147s/90°	3P SPDT	Rp 1"	225	140	11x11	5,33	
12674	UNI 3P 35I 20730-2	15	20	230V~50Hz	73s/90°	3P SPDT	Rp 1/2"	167	75	9x9	1,27	
12675	UNI 3P 35I 20730-3	20	41	230V~50Hz	73s/90°	3P SPDT	Rp 3/4"	175	80	9x9	1,43	
12676	UNI 3P 35I 20730-4	25	66	230V~50Hz	73s/90°	3P SPDT	Rp 1"	185	90	11x11	2,05	
12677	UNI 3P 35I 20730-5	32	125	230V~50Hz	73s/90°	3P SPDT	Rp 1 1/4"	195	110	11x11	2,53	

Adapter set for valves series 35I, 35 IM



Features and options

- **Auxiliary switch:** UNI 2P 35I has auxiliary switches (potential free switches) available on special order, UNI 3P 35I has built-in auxiliary switches (potential free output in both end positions).
- **Power supply:** 230VAC, 50Hz or 24VAC, 50Hz
- **Different running times:** 32s/90°, 48/90°, 73s/90°, 147s/90°.

Code	Type	
158023	UNI-ISO 5211 F03/F04	for valves 690, 35I and 35IM (1/2" - 1/4")
158019	UNI-ISO 5211 F05 (upgrade to F03/F04)	for valves 690, 35I and 35IM (1 1/2" - 2")



**FIRST d.o.o.**  
Koroška cesta 56  
SI-3320 Velenje  
SLOVENIA

phone: +386 3 898 35 00  
fax: +386 3 898 35 35  
email: info@first.si  
web: www.first.si

**www.first.si**  
Let First be your first choice.

